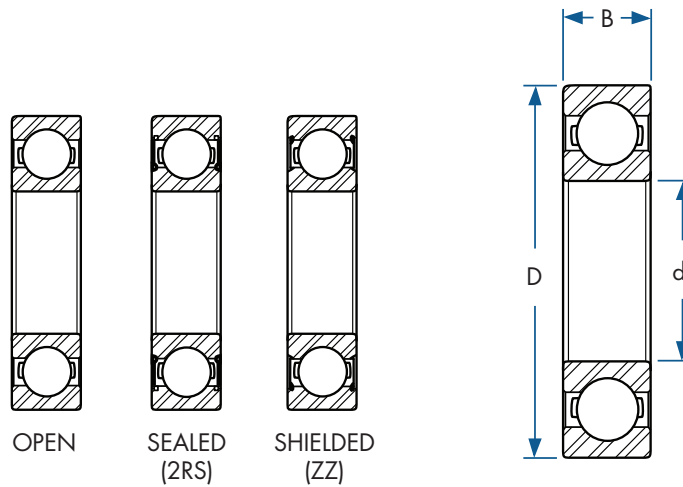


# 6000 Series



Bearing Size	Dimensions (mm)			Load Rating (lbs)		Limiting Speed (RPM)		
				Dynamic	Static	Grease		Oil
	d	D	B	Cr	Cor	2RS	ZZ/OPEN	OPEN
6000	10	26	8	1,030	440	28,000	31,000	36,000
6001	12	28	8	1,150	540	17,000	27,000	32,000
6002	15	32	9	1,260	635	14,000	23,000	27,000
6003	17	35	10	1,530	755	12,000	21,000	25,000
6004	20	42	12	2,120	1,140	10,000	17,000	21,000
6005	25	47	12	2,280	1,320	9,000	15,000	18,000
6006	30	55	13	2,970	1,860	7,500	13,000	15,000
6007	35	62	14	3,580	2,320	6,500	11,000	13,000
6008	40	68	15	3,760	2,590	5,800	10,000	12,000
6009	45	75	16	4,730	3,400	5,300	9,200	11,000
6010	50	80	16	4,910	3,740	4,800	8,400	9,900
6011	55	90	18	6,370	4,800	4,300	7,600	8,900
6012	60	95	18	6,610	5,220	4,000	7,100	8,400
6013	65	100	18	6,860	5,670	3,700	6,600	7,800
6014	70	110	20	8,570	6,950	3,500	6,100	7,200
6015	75	115	20	8,910	7,540	3,300	5,700	6,800
6016	80	125	22	10,710	8,950	3,100	5,300	6,300
6017	85	130	22	11,130	9,690	2,900	5,000	5,900
6018	90	140	24	13,090	11,180	2,700	4,700	5,600
6019	95	145	24	13,580	12,120	2,500	4,400	5,200
6020	100	150	24	13,500	12,190	2,500	4,300	5,100
6021	105	160	26	16,300	14,800	2,300	4,000	4,700
6022	110	170	28	18,400	16,420	2,200	3,800	4,500
6024	120	180	28	19,110	17,800	2,100	3,600	4,200
6026	130	200	33	23,800	22,710	1,900	3,200	3,800
6028	140	210	33	24,700	24,400	1,800	3,000	3,600
6030	150	225	35	28,200	28,200	1,600	2,800	3,300
6032	160	240	38	32,000	32,500	1,500	2,600	3,000